

HAIRDRESSER DISPLAYS



Presentations that attract attention



Professional displays - increase sales

Easy to order poster and shelving kits



Displays can be wall mounted or suspended between floor and ceiling

Enhance the appearance of your professional graphics - present them in a way that will enhance your premises and draw the eye to your message

- Posters are positioned within acrylic pockets to protect the graphic; the pocket can be positioned at any height on the suspended cable system, which is fitted between floor and ceiling or wall mounted
- Kits can be designed to display posters and information, and can incorporate shelving, leaflet holders and low-voltage lighting
- Stylish and discrete design
- Other sizes are available on request
- Supplied with easy to follow installation instructions

Professional installation service - let us do the work

Installation service fully guaranteed to give you piece of mind. Ask for details of your local installer.

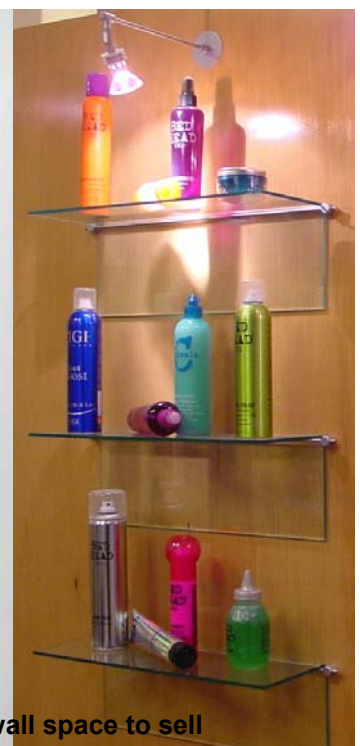


In your reception

Add sparkle to your window display



Use your wall space to sell

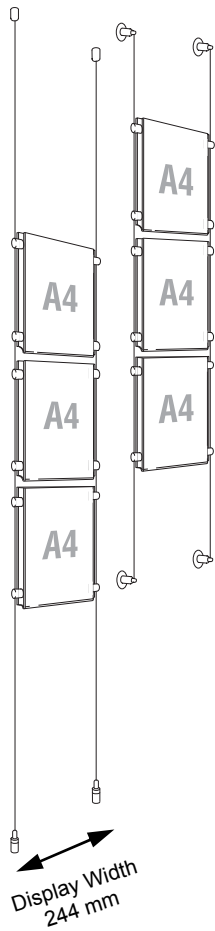


Poster/information Kits

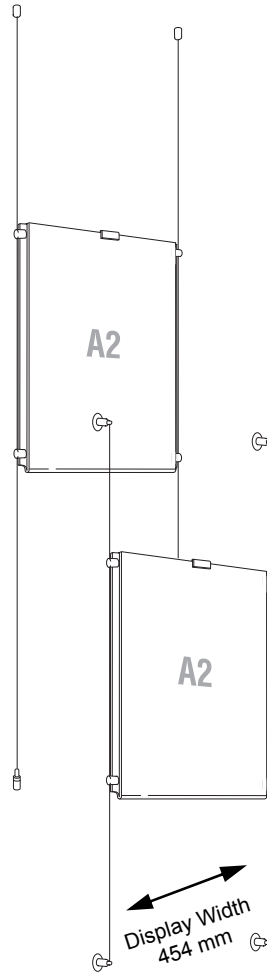
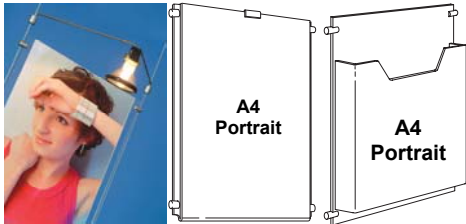
Floor/Ceiling Kits: For window or interior displays ideal for single/double sided graphics

Wall to Wall Kits: Single sided to fix to the wall between work stations or use in reception areas.

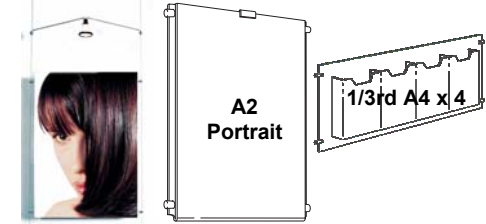
Kits are supplied with satin chrome floor and ceiling fittings, satin chrome panel clamps & easy access acrylic pockets.



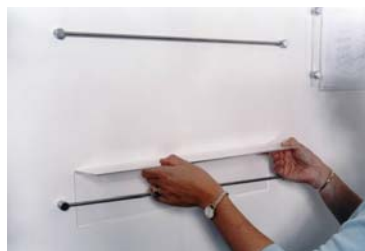
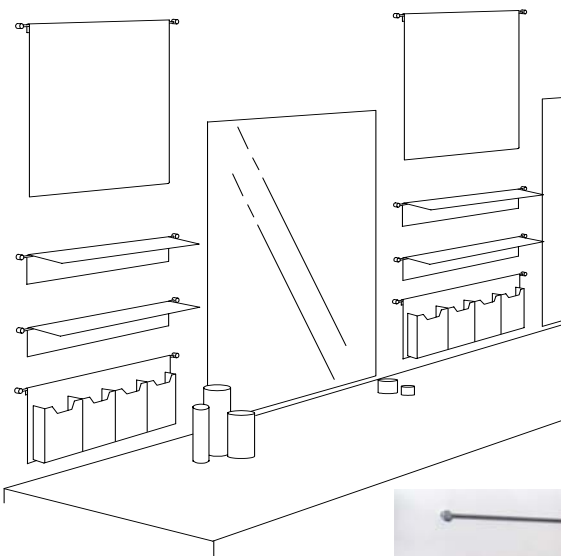
A4 portrait pockets x 3
Floor/Ceiling Kit
Ref: K3A4
Cable length 4 metres
Wall/Wall Kits
Ref: KW3A4
Cable length 3 metres
Add-on Kits
Add Lighting Ref: KLWA4C
Additional Pocket Ref: KMA4PW
Add Leaflet Dispenser Ref: KMA4D



A2 portrait pockets x 1
Floor/Ceiling Kit
Ref: KA2
Cable length 4 metres
Wall/Wall Kits
Ref: KW1A2
Cable length 3 metres
Add-on Kits
Add Lighting Ref: KLWA2C
Additional Pocket Ref: KMA2PW
Add Leaflet Dispenser Ref: KADSA2



Position your products and sales messages next to your work stations



Mix and match to make a display to suit your requirements

Wall Mounted Hook on Displays Width of display 488 mm
A2 Poster Kit Ref: KHA2P
Shelving kits shelf depth 100 mm with front lip
Single shelf kit Ref: KHA2-93
Set of three shelf kits Ref: KHA23-93

All hook on units are supplied with half a metre of 6mm diameter stainless steel rod with supports to mount to the wall.

Clear acrylic posters and shelves just hook-on to the rod creating stylish and interesting displays.

Hook-on leaflet dispensers for 1/3 A4 or A5 leaflets are available on request - ask for details.

Product Displays

Combine posters with shelving for an eye catching display



Customise your display to suit your needs with add-on posters, shelving and low voltage lighting kits that will draw attention to your display

Add Low-voltage Lighting

Ref:	To fit:
KLWA3C	A3 kits
KLWA2C	A2 kits
KLWA1C	A1 kits

Add Posters

Ref:	To fit:
KMA3PW	A3 kits
KMA2PW	A2 kits
KMA1PW	A1 kits

Add Shelves

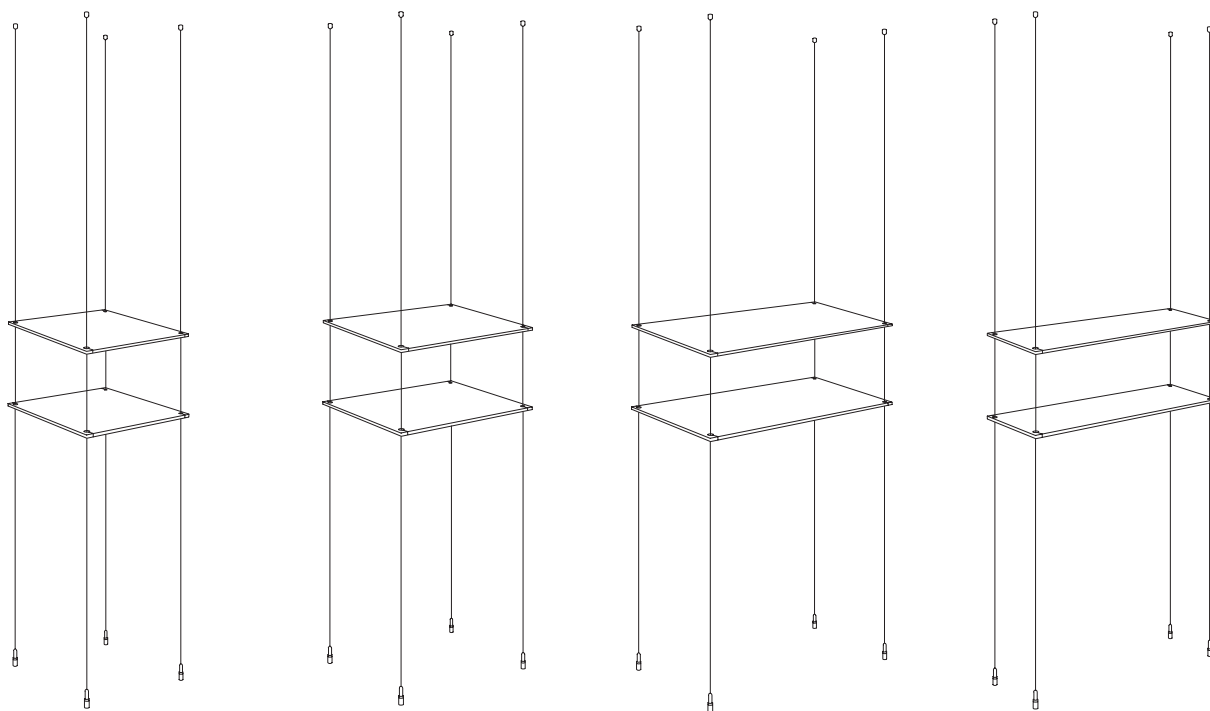
Ref:	To fit:
K391330	A3 kits
K514330	A2 kits
K688330	A1 kits
K688180	A1 narrow kits

Shelves can easily be removed for cleaning



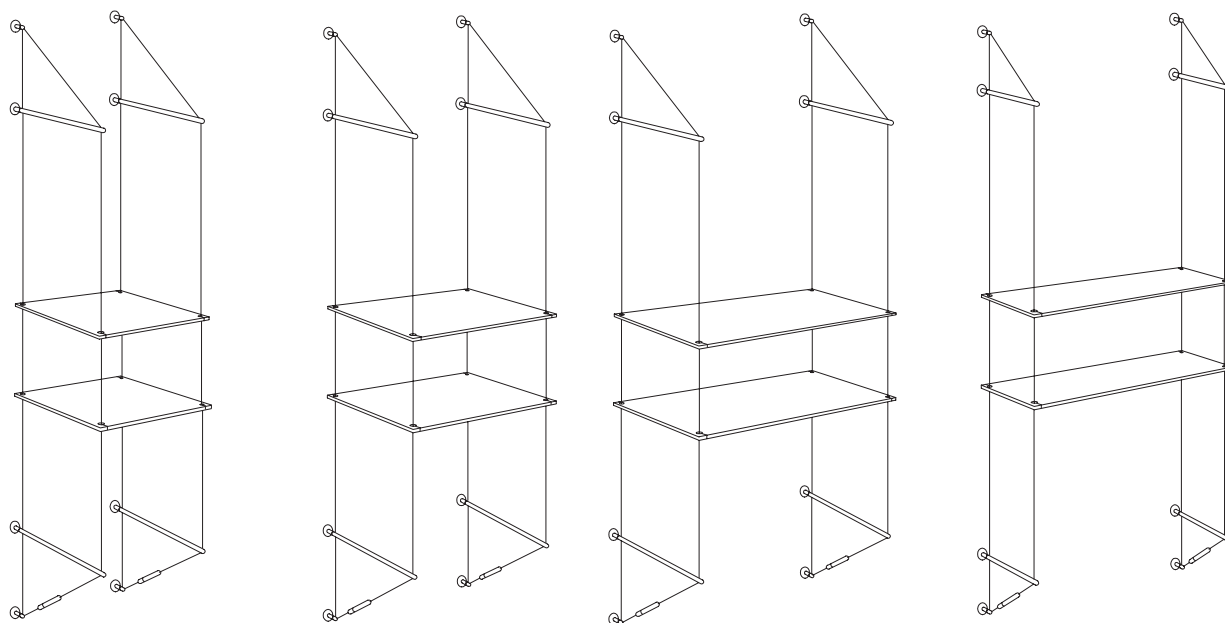
Shelving Kits

Floor/Ceiling Kits: Kits are supplied with satin chrome floor and ceiling fittings, along with four metres of cable, satin chrome clamps plus drilled and slotted shelves made from toughened safety glass.



Size:	2 x A3 shelves	2 x A2 shelves	2 x A1 shelves	2 x A1 narrow shelves
Shelf size:	W391mm x D330mm	W514mm x D330mm	W688mm x D330mm	W688mm x D180mm
Ref:	KS2A3	KS2A2	KS2A1	KS2NA1

Wall to Wall Kits: Kits are supplied with satin chrome wall fittings, along with three metres of cable, satin chrome clamps plus drilled and slotted shelves made from toughened safety glass.



Size:	2 x A3 shelves	2 x A2 shelves	2 x A1 shelves	2 x A1 narrow shelves
Shelf size:	W391mm x D330mm	W514mm x D330mm	W688mm x D330mm	W688mm x D180mm
Ref:	KWS2A3	KWS2A2	KWS2A1	KWS2NA1

Be seen on dull days and at night

The eye is drawn to light...

Fact: An illuminated display can increase sales by up to 107% (source:entrepreneur.com)

Using the latest technology combined with an incredibly long lamp life, our wall mounted or suspended light boxes give you maximum impact in your premises.

Wall Mounted Cold Cathode Light Boxes

- Cold cathode light boxes use the very latest light technology, making them incredibly bright and light weight
- Cold cathode light boxes have an extremely long lamp life -up to 50,000 hours (approx. 5 years).
- Lux level at panel centre of A1 unit is 1092 lux, making it one of the brightest light boxes around
- Stylish, slim silver anodised click frame, 30cm wide x 35mm deep
- Supplied with a 3 pin plug - simply attach to the wall with screws (not included), plug in and go!



Ref:	Size:
LBA2-CC	A2
LBA1-CC	A1

Suspended XtraLite Light Boxes



- XtraLite is ideal for use in windows or interiors
- As the unit is suspended from the ceiling, you do not need a wall.
- Totally even spread of light which eliminates shadows
- Average lamp life 9,000 hours
- Invisible power supply, no ugly power cables
- Less than 40 mm thick
- Use double or single sided
- Supplied ready to be installed, with cables or rods with ceiling and floor fittings, transformer, power connectors, supports and isolators.

Ref:	Size:	Suspended on:	Width of display:
KXLA1C/SI	A1	Cables: 3m floor/ceiling	628mm
KXLA1R/SI	A1	Rods: 3m floor/ceiling	632mm

Note: XtraLite installation must be carried out by a qualified installer.

Movement increases sales!

Make sure you stand out on the high street - sales can be increased by up to 317% when you install a moving display!

New Digital Display Kits

The Digital Display System is highly economical, which means small as well as large companies can benefit from the advantages of digital media.

Digital Displays are the solution if you want to:

- Present jpeg images, mpeg video and sound.
- Increase awareness that will increase sales.
- Update your display instantly without expensive print costs.
- Grab the attention of passers-by with strong sales messages.

Ref:	Description
KDCA3	Single-sided Cold Cathode Light Box Kit on Cables
KDCA3-D	Double-sided Cold Cathode Light Box Kit on Cables
KDA3R	Digital Screen Kit on Rods

Multiple and combination kits are also available - call us now for details.



Digital Screen

- all kits are supplied with a demo compact flash card and instruction manual.
- depth 53mm, 17" wide screen
- portrait or landscape



Cold Cathode Light Box

- only 25 mm deep.
- single and double sided options.
- poster size 420mm x 297mm.
- lamp life up to 50,000 hrs
- portrait or landscape

Design ideas for your interior



Ask about other products and services in the range

Sign Systems

Wall mounted supports for signs and graphics

Cable Systems

Suspended and wall mounted cables 1.5mm and 3mm

Rod Systems

Rods can be suspended, wall mounted and used horizontally. 3mm, 6mm and 10mm

Graphic Displays

Extensive range of acrylic pockets, poster holders, and leaflet dispensers

Product Displays

Toughened safety glass shelves, sloping acrylic shelves and acrylic cubes

Lighting

Low-voltage lights that just clip onto the cable and rod systems

Products referred to on pages 7 & 11 can be found on our website: www.fairfielddisplays.co.uk

Freestanding Display Units

Elegant units designed for holding posters, leaflets and signage - ideal for POP

Moving Displays

E-motion - A truly eye-catching rotating display system for graphics and products

Digital Displays

The very latest in slick digital presentations, ultra-slim unit runs from a compact flash card

Services

Total service from design concepts to project management and installation

For full details visit the website or call now for immediate information